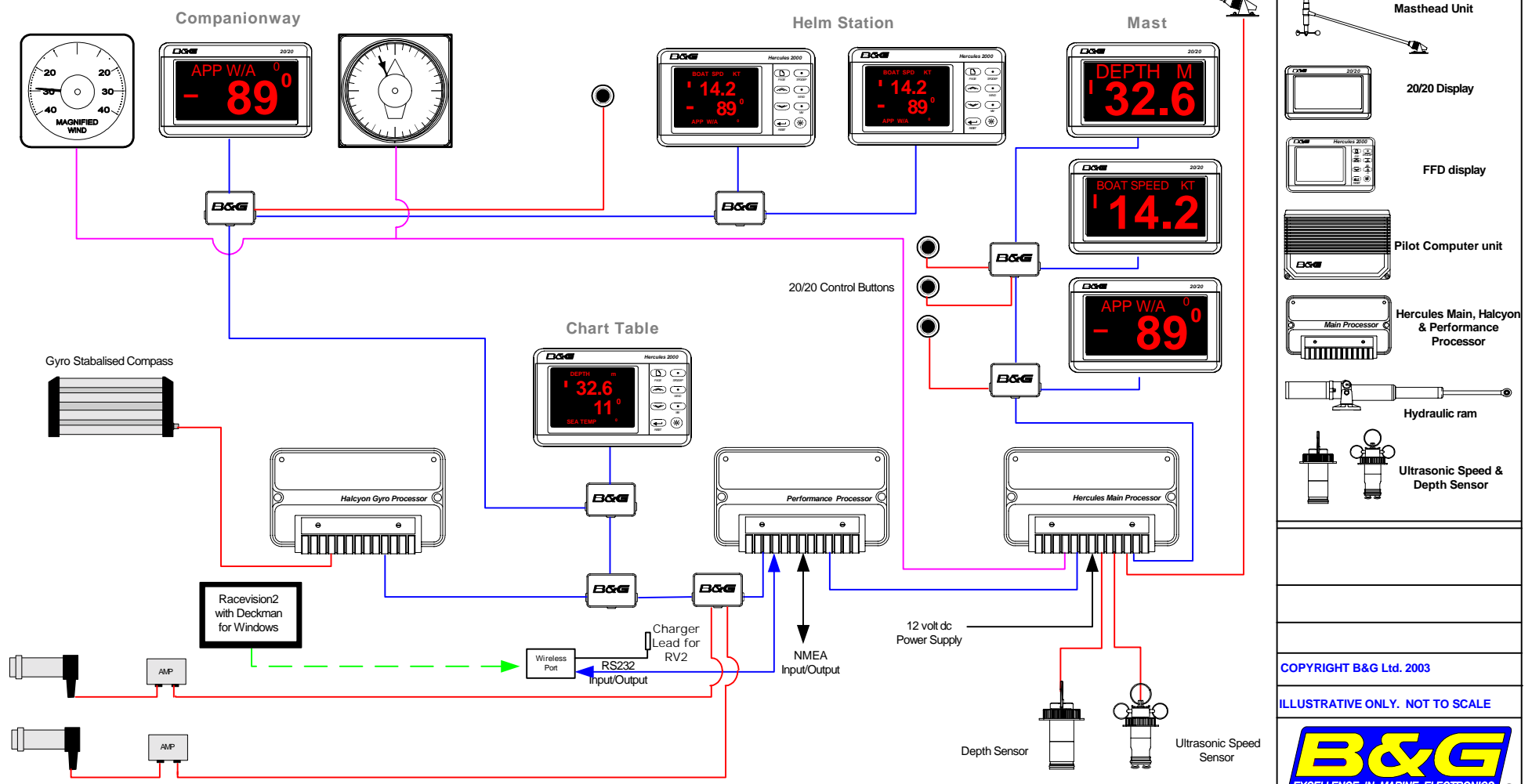


# Hercules Solution - Wind, Speed, Depth, Gyro, 4x 20/20s & RV2



- Load Cell with Amplifier
- Wind Angle display
- Magnified Wind display
- Masthead Unit
- 20/20 Display
- FFD display
- Pilot Computer unit
- Hercules Main, Halcyon & Performance Processor
- Hydraulic ram
- Ultrasonic Speed & Depth Sensor

COPYRIGHT B&G Ltd. 2003

ILLUSTRATIVE ONLY. NOT TO SCALE



CUSTOMER NAME:

BOAT NAME:

BOAT TYPE:

Actual positions may change due to physical layout of yacht