



frequently asked questions

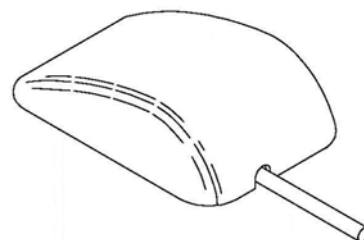
Network / h1000 CND Chart Plotter

"How do I connect the GPS Antenna to the CND Chart Plotter?"

B&G 12-Channel GPS (Discontinued)

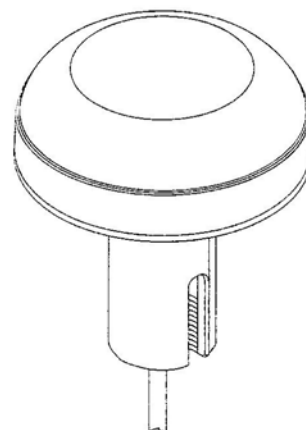
(615-00-050)

CND Power/Data Cable	GPS Antenna Cable	12V Power Cable	Function
Red	Red and Yellow	Red	+12V Power Supply
Black & Yellow	Black	Black	0V and NMEA Ground
Green	Grey	- - -	GPS NMEA + Signal



B&G Wide Area Augmentation System (WAAS) Antenna (615-00-051)

CND Power/Data Cable	WAAS GPS Antenna Cable	12V Power Cable	Function
Red	Red	Red	+12V Power Supply
Black & Yellow	Black & Yellow	Black	0V and NMEA Ground
Green	White	- - -	GPS NMEA + Signal



James Duynisveld
23rd February, 2004

--ends--

B&G Customer Support
Premier Way
Abbey Park
ROMSEY
SO51 9DH
UK