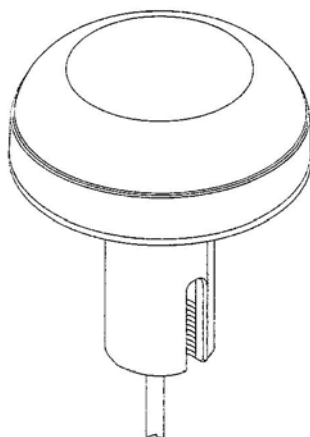




frequently asked questions

LCD CHART PLOTTER

“How do I connect the B&G WAAS GPS Antenna to the LCD Chart Plotter?”



B&G WAAS GPS Antenna

Wiring

WAAS Antenna to LCD Chart Plotter

WAAS GPS Antenna Cable	LCD Chart Power Cable N1000212	LCD Chart Data In 1 Cable N100231	12V Power Cable	Function
Red	Red	---	Red	+12V Power Supply
Black & Yellow	Black	Yellow	Black	0V and NMEA Ground
White	---	Brown	---	GPS NMEA + Signal

---000000000---

B&G Customer Support
Premier Way
Abbey Park
ROMSEY
SO51 9DH
UK